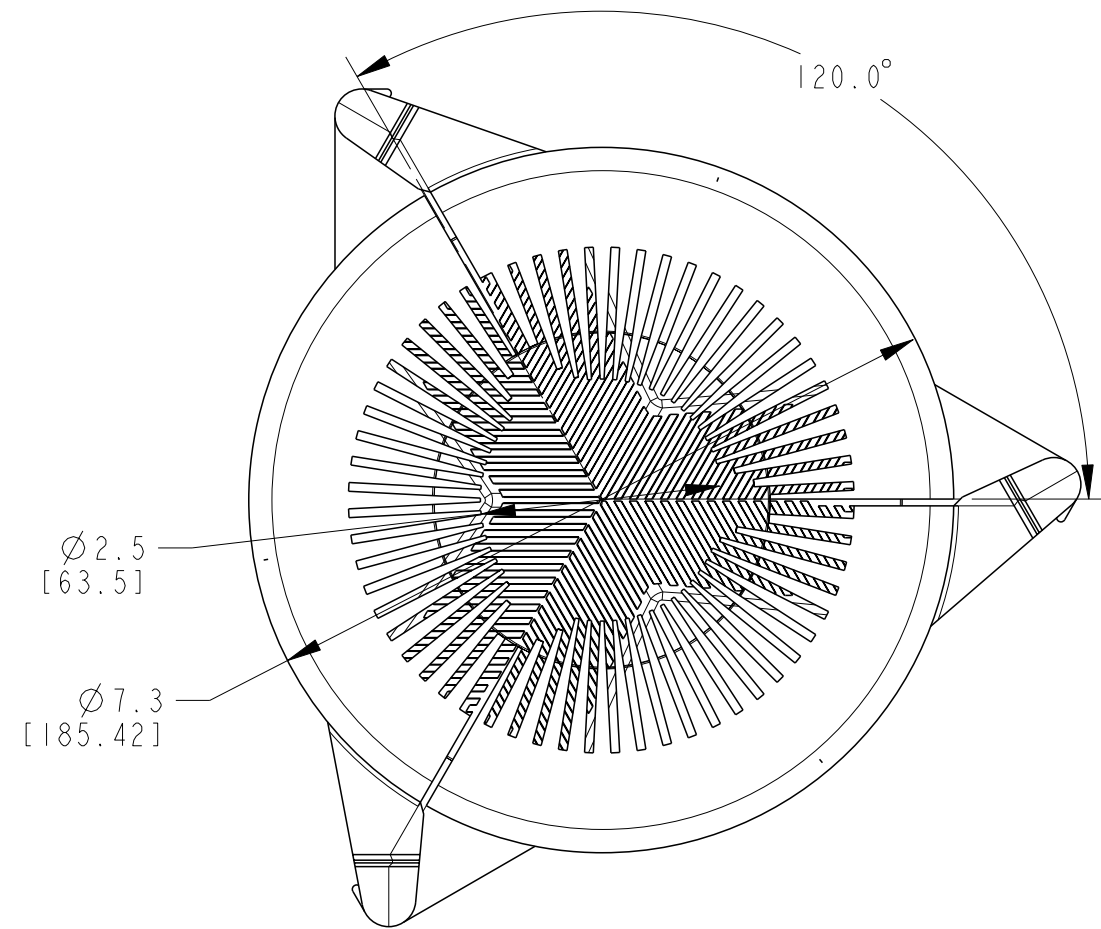
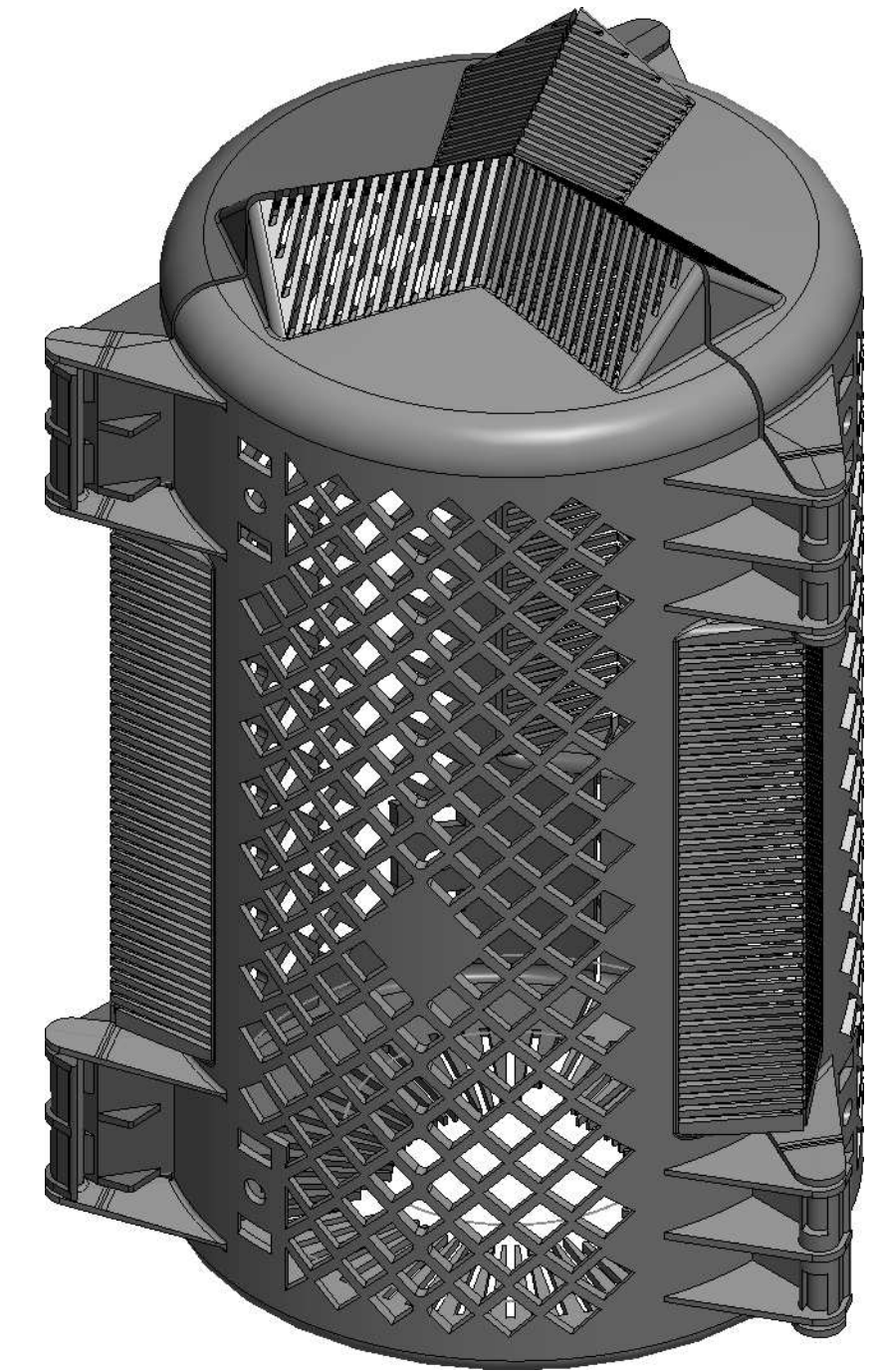
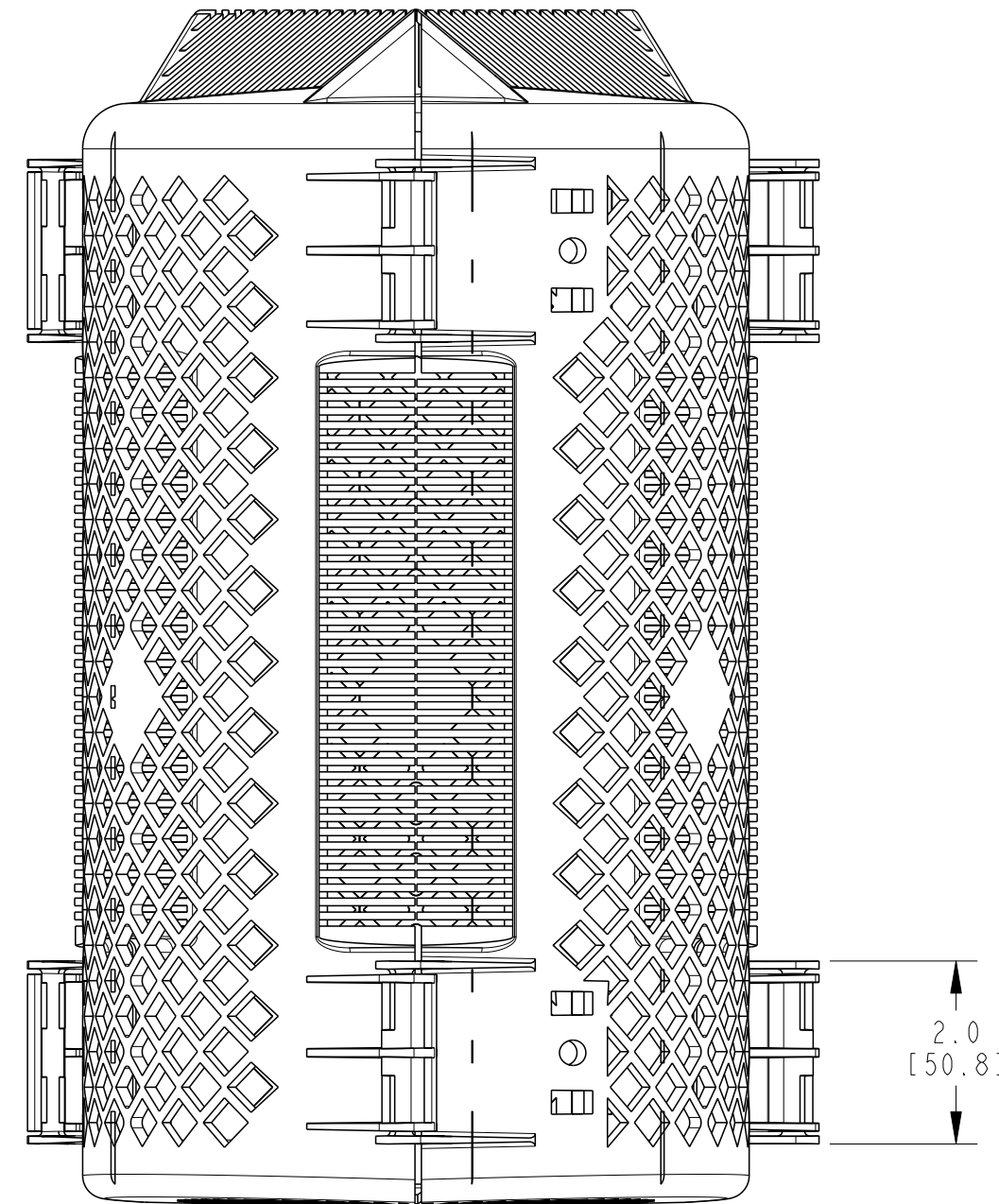
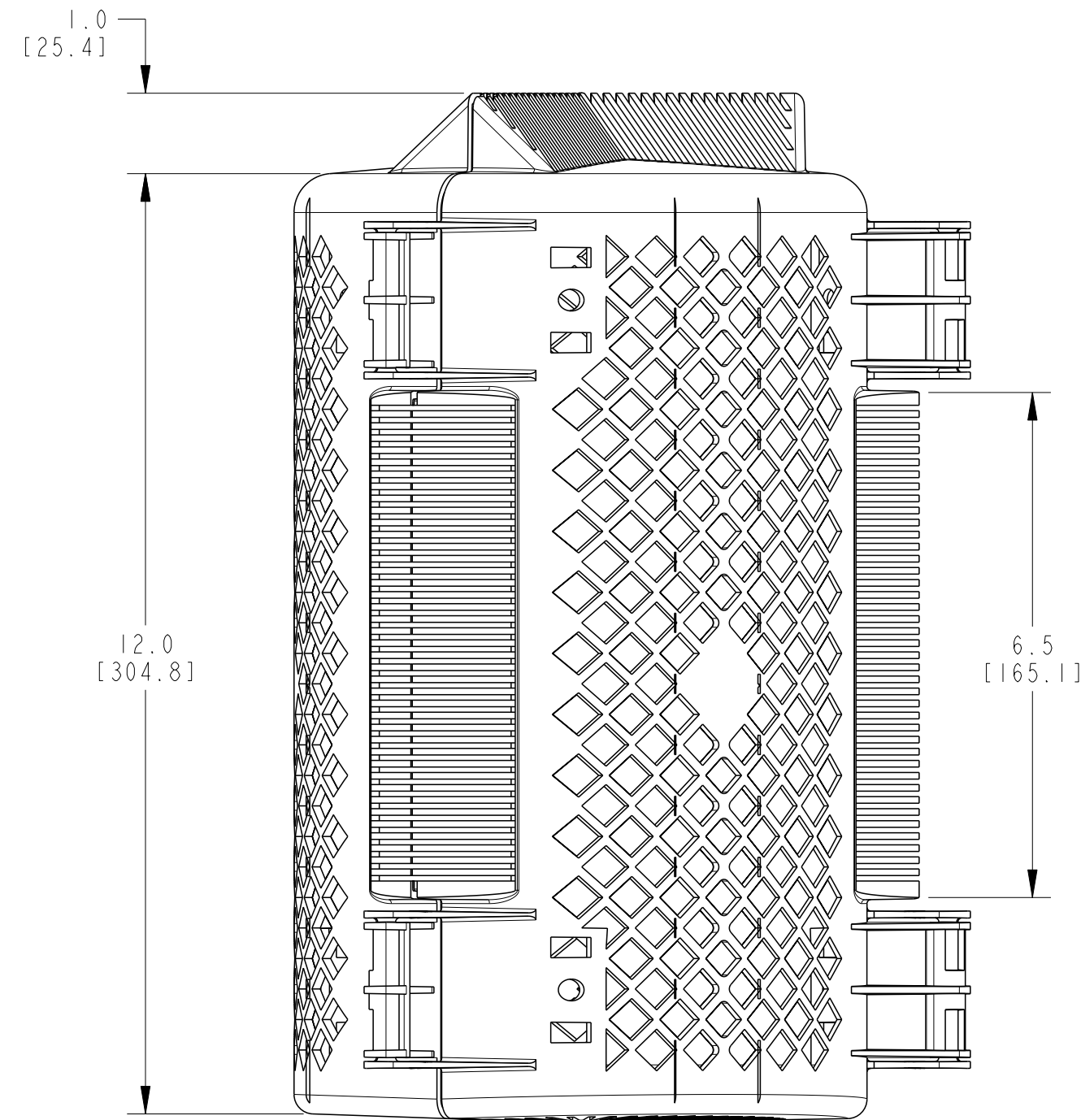


REVISIONS					
P	LTR	DESCRIPTION	DATE	DWN	APVD
A		INITIAL RELEASE	19MAY2020	AS	LH
B		TYPO CORRECTION	24NOV2022	HM	LH
BI		REV. PER ECR-23-179214	27JUN2023	HM	LH



NOTES:

- PARTS ARE KITTED 6 ASSEMBLIES PER BOX. EACH ASSEMBLY CONSISTS OF 3 PIECES SNAPPED TOGETHER IN TWO PLACES. P11-56104 ALSO INCLUDED.
- EACH BOX SHALL BE LABELLED WITH DESCRIPTION, LOT NUMBER, PART NUMBER, MANUFACTURING DATE AND QUANTITY.

TCPN	DESCRIPTION
CS7743-000	BCAC-G-1C-7D/12(B6)
CS7744-000	BCAC-1C-7D/12(B6)
EP8394-000	BCAC-P-1C-7D/12(B6)

THIS DRAWING IS A CONTROLLED DOCUMENT.		DWN A. SABARAD 19MAY2020		
DIMENSIONS: INCH[MM]		CHK S. LIGHT 19MAY2020		
TOLERANCES UNLESS OTHERWISE SPECIFIED:		APVD L. HILLER 19MAY2020	NAME BCAC-G-1C-7D/12 BCAC-1C-7D/12	
		PRODUCT SPEC	APPLICATION SPEC	
MATERIAL		WEIGHT	SIZE A2	CAGE CODE 00779
FINISH		CUSTOMER DRAWING	DRAWING NO E00000881	RESTRICTED TO -
		SCALE NTS	SHEET 1	REV BI

Printed on 27 Jun 2023 13:44 (India Standard Time) from TE397707